

dacor®

The Life of the Kitchen.®

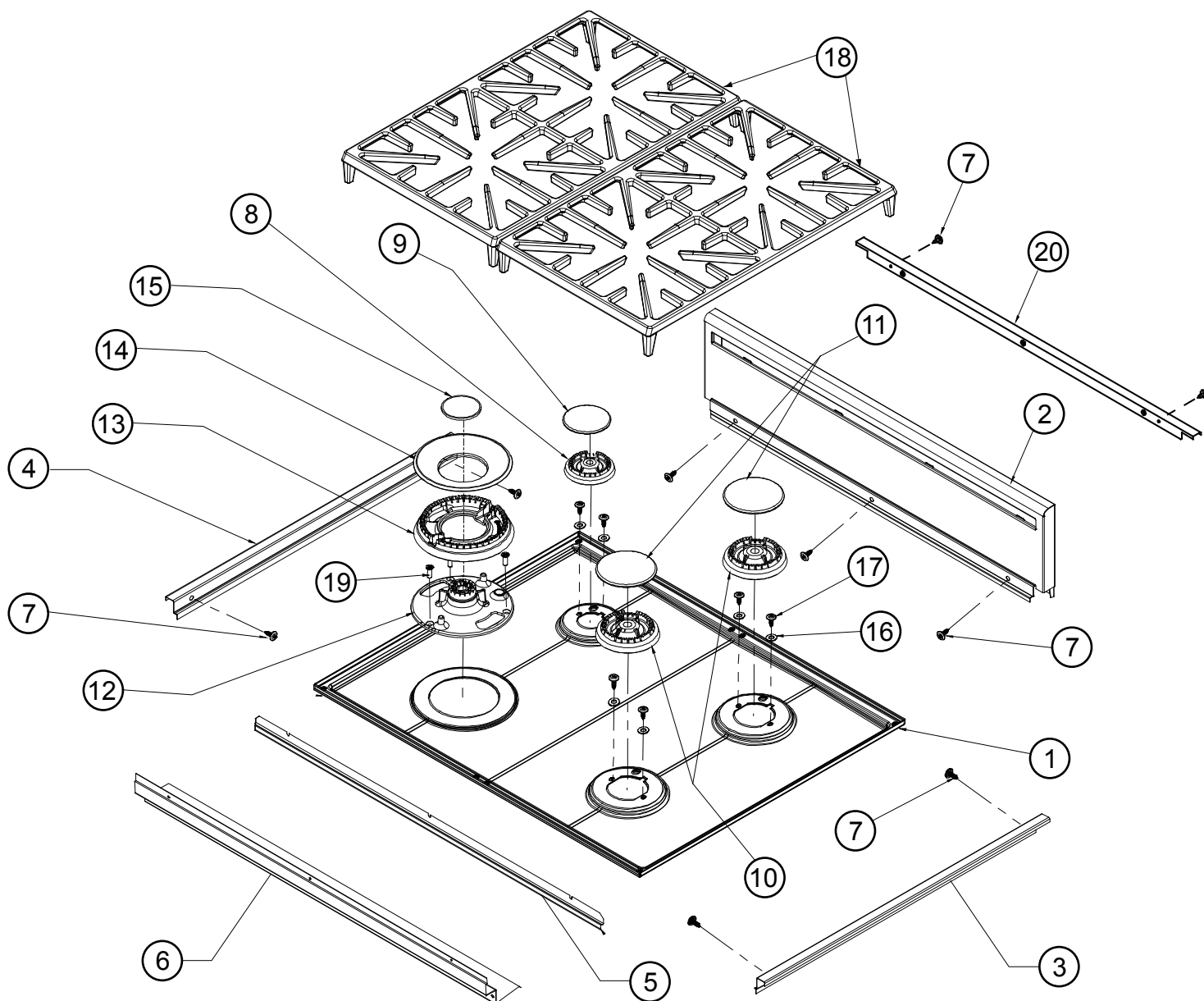
PARTS CATALOG

DR30G/DR30GI Range

Page #	Description
2	Top Assembly
3	Burners and Tubes
4	Control Panel Assembly
5	Manifold Assembly
6	Oven Cell Assembly
7	Door Assembly
8	Base Assembly
9	Outer Assembly

Revised 07-07-2014

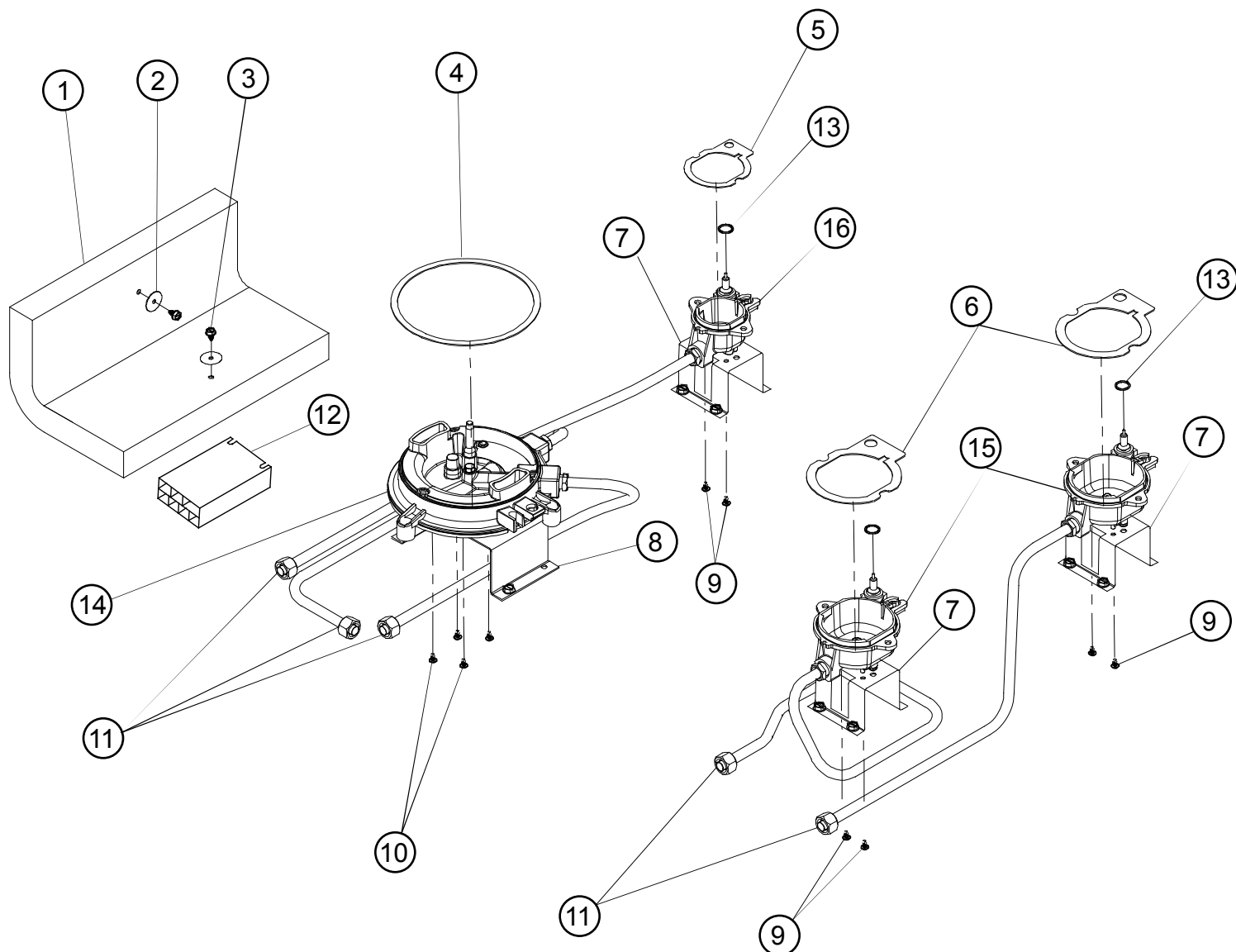
DR30G/GI Top Assembly



Item	DR30G Part#	DR30GI Part#	Description
1	102596BP	102596BP	Spill Tray, Black Porcelain
2	701170	701170	Assy, Backguard, Low Prof.
	700807-01	N/A	Assy, Backguard, 6"
	700807-02	N/A	Assy, Backguard, 3"
	700807-03	N/A	Assy, Backguard, 9"
3	102605-02	102605-02	Trim, Top, Side, RH
4	102605-01	102605-01	Trim, Top, Side, LH
5	100973	100973	Trim, Spill Tray, Front
6	105959	105959	Channel, Support, Front
7	83263	83263	Screw, Phil, #8 x 3/8"
8	102594	102594	Ring, Burner, 9.5k

Item	DR30G Part#	DR30GI Part#	Description
9	102593	102593	Cap, Burner, 9.5k
10	102591	102591	Ring, Burner, 15k
11	102590	102590	Cap, Burner, 15k
12	102587	102587	Ring, Burner, Inner, 18k
13	102588	102588	Ring, Burner, Outer, 18k
14	102586	102586	Cap, Burner, Outer, 18k
15	102585	102585	Cap, Burner, Inner, 18k
16	83272	83272	Flat Washer, #8, SS
17	103696	103696	Screw, M4 x 8 mm lg
18	101524	101524	Grate, 14" x 23"
19	103755	103755	Screw, M4 X 12 mm Lg
20	NA	107291	Rear Trim, 1 Inch Deep
	NA	106416	Rear Trim, 5/8 Inch Deep

DR30G/GI Burners and Tubes



Item	Part #	Description
1	100910	Insulation, Single Point
2	83533	Washer, .88 OD x .165 ID x .03, SS
3	83023	Screw, Slot HWH, #10 x 3/8"
4	103553	Gasket, Burner, Dual, 18k
5	103551	Gasket, Burner, 9.5K
6	103552	Gasket, Burner, 15K
7	105949	Support, Burner Base
8	105948	Support, Burner Base, 18k
9	103695	Screw, Phil, #6-32 x 1/4"
10	103696	Screw, M4 x 8 mm
11	103666	Flex Tube, Cooktop, 5/16, 18"
12	86526	Re-Ignition Module, 4 Point
13	103554	"O" Ring, Igniter

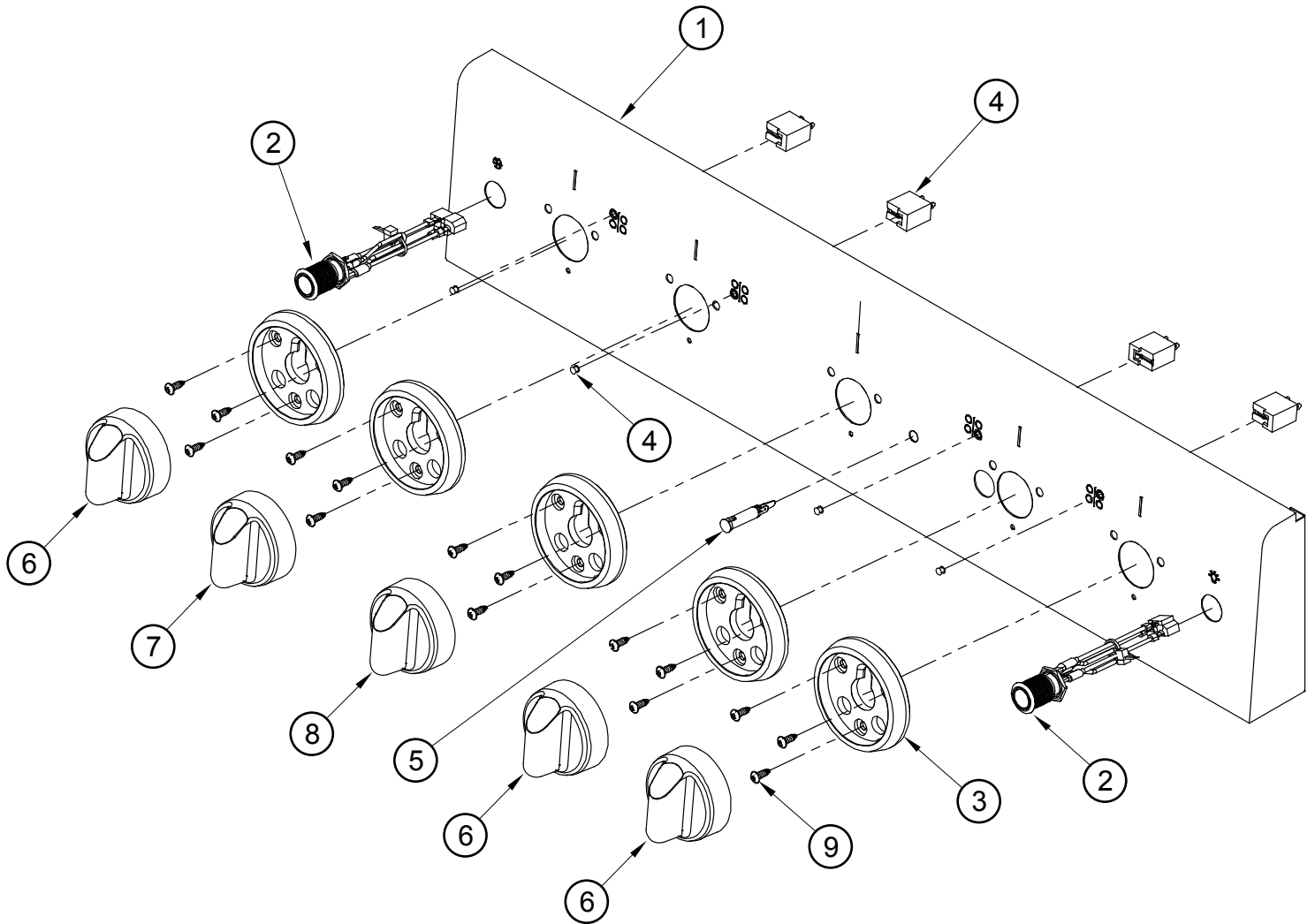
Item	Part #	Description
14	102589-06	Assy, Injector Holder, 18k, NG
	102589-08	Assy, Injector Holder, 18k, LP
	102589-07	Assy, Injector Holder, 18k, NGH
	102589-09	Assy, Injector Holder, 18k, LPH
15	102592-01	Assy, Injector Holder, 15k, NG
	102592-02	Assy, Injector Holder, 15k, LP
	102592-03	Assy, Injector Holder, 15k, NGH
	102592-04	Assy, Injector Holder, 15k, LPH
16	102595-01	Assy, Injector Holder, 9.5k, NG
	102595-02	Assy, Injector Holder, 9.5k, LP
	102595-03	Assy, Injector Holder, 9.5k, NGH
	102595-04	Assy, Injector Holder, 9.5k, LPH
-	107214	Igniter Wire Set (not shown)

Gas type and altitude conversion kits:

Part # NG	Part # LP	Part # NGH	Part # LPH
701719	701720	701721	701722

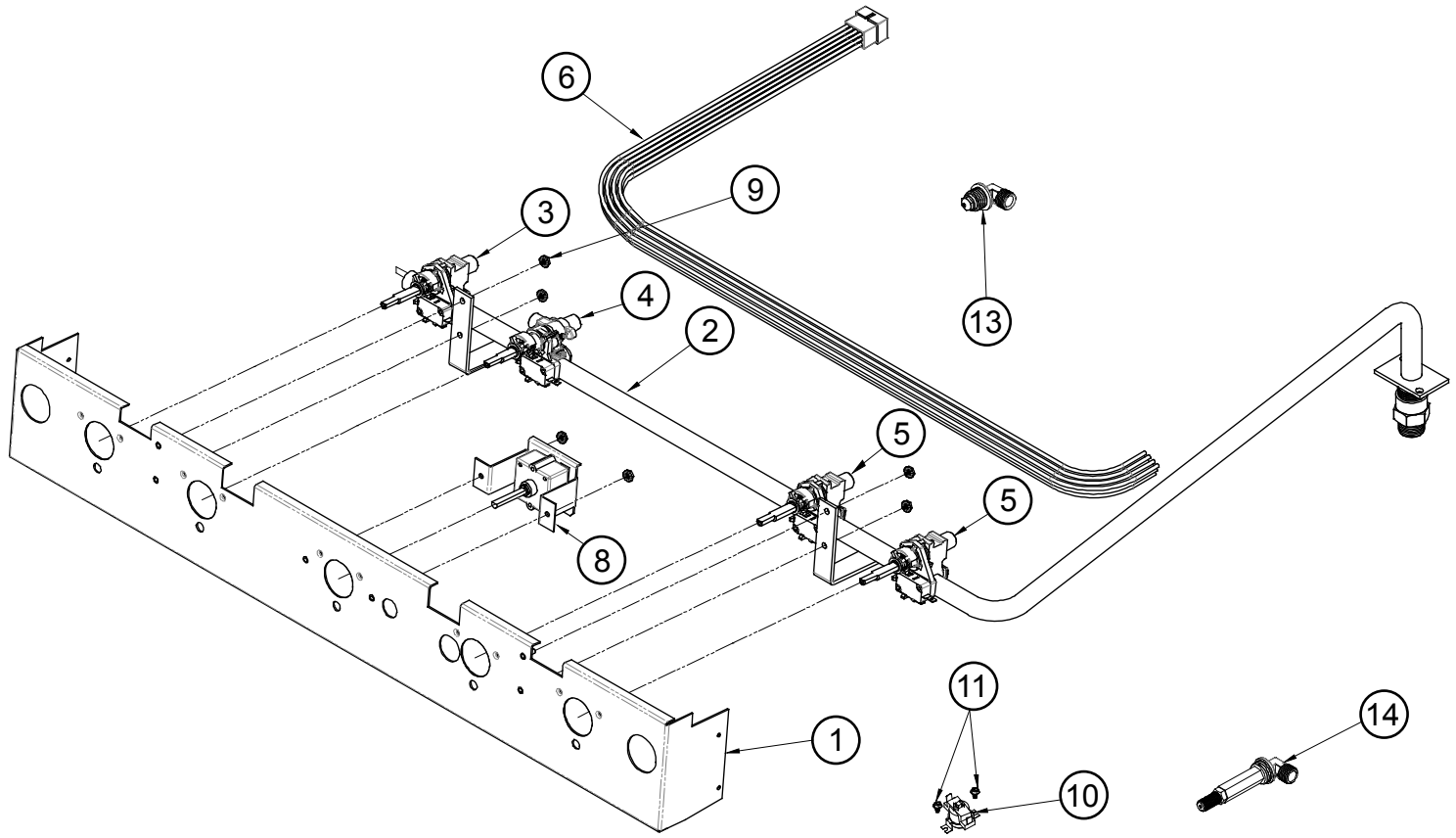


DR30G/GI Control Panel Assembly



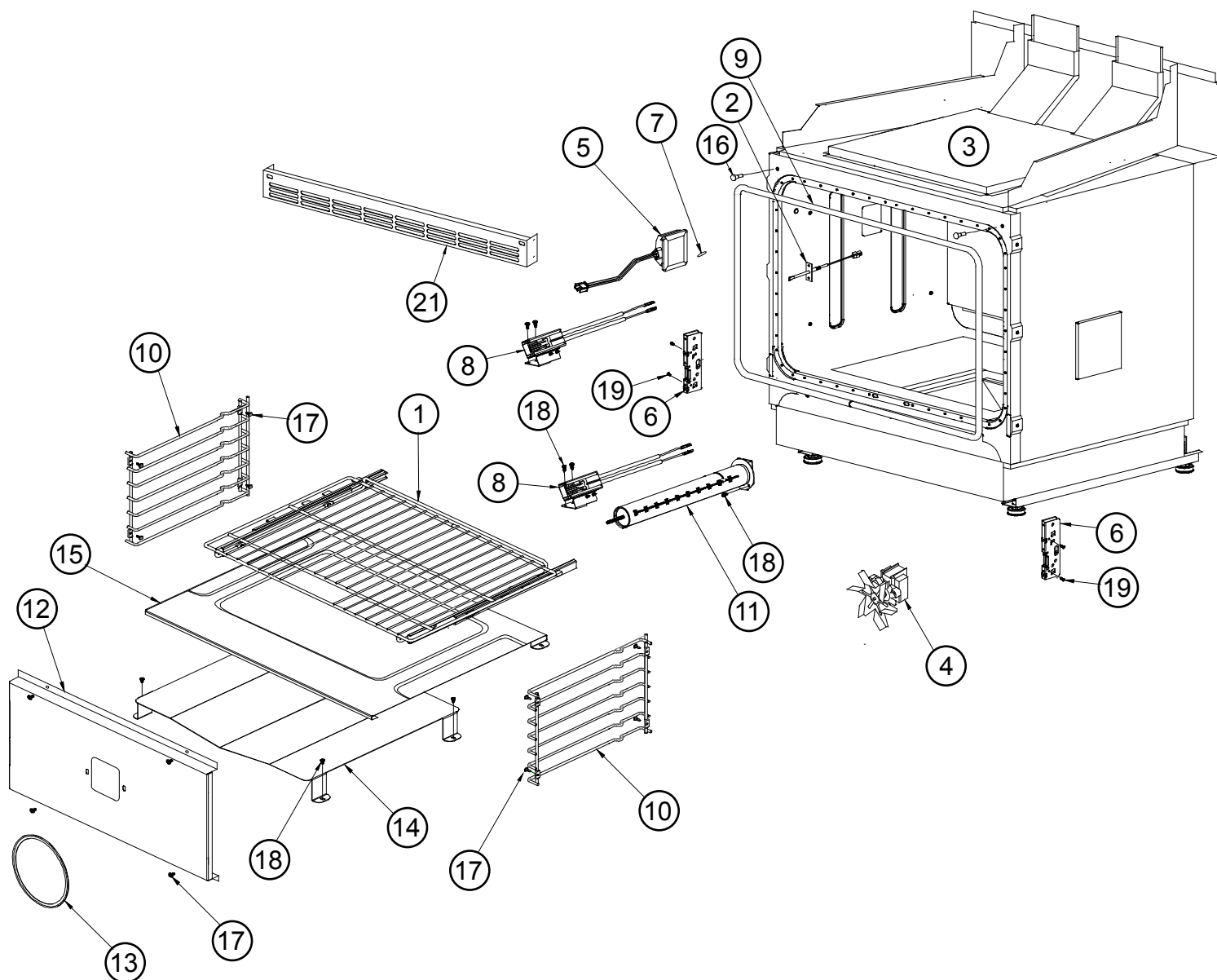
Item	Part #	Description
1	701785	Weldment, Control Panel
2	701730	Assy, Switch/Pigtail
3	100122CH	Trim Ring, Chrome
4	62036	Indicator Light, Blue, with lens
5	103690	Oven Indicator Light
6	105377-04	Knob, Single Burner
7	105377-05	Knob, Dual Burner
8	105377-10	Knob, Oven
9	83709	Screw, Trx Wfr HD, #8 x 1/2"

DR30G/GI Manifold Assembly



Item	Part # /NG	Part # /LP	Part # NG/H	Part # LP/H	Description
1	105946	105946	105946	105946	Assy, Sub-Panel w/Studs
2	701668-01	701668-02	701668-03	701668-04	Assy, Manifold w/ Valves
3	103688-01	103688-03	103688-05	103688-03	Valve, Single, Alum.
4	103689-01	103689-02	103689-03	103689-04	Valve, Dual, Brass
5	103688-02	103688-04	103688-06	103688-04	Valve, Single, Alum.
6	107158	107158	107158	107158	Wire Harness, Cooktop
8	103564	103564	103564	103564	Control, Oven Temp. Selector
9	83308	83308	83308	83308	Nut, Keps, #6-32
10	82987	82987	82987	82987	Thermal Switch
11	83023	83023	83023	83023	Screw, Slot HWH, #10 x 3/8"
13	701670-01	701670-02	701670-03	701670-04	Jet Assy, Broil Burner
14	700935-05	700935-06	700935-07	700935-08	Jet Assy, Bake Burner

DR30G/GI Oven Cell Assembly



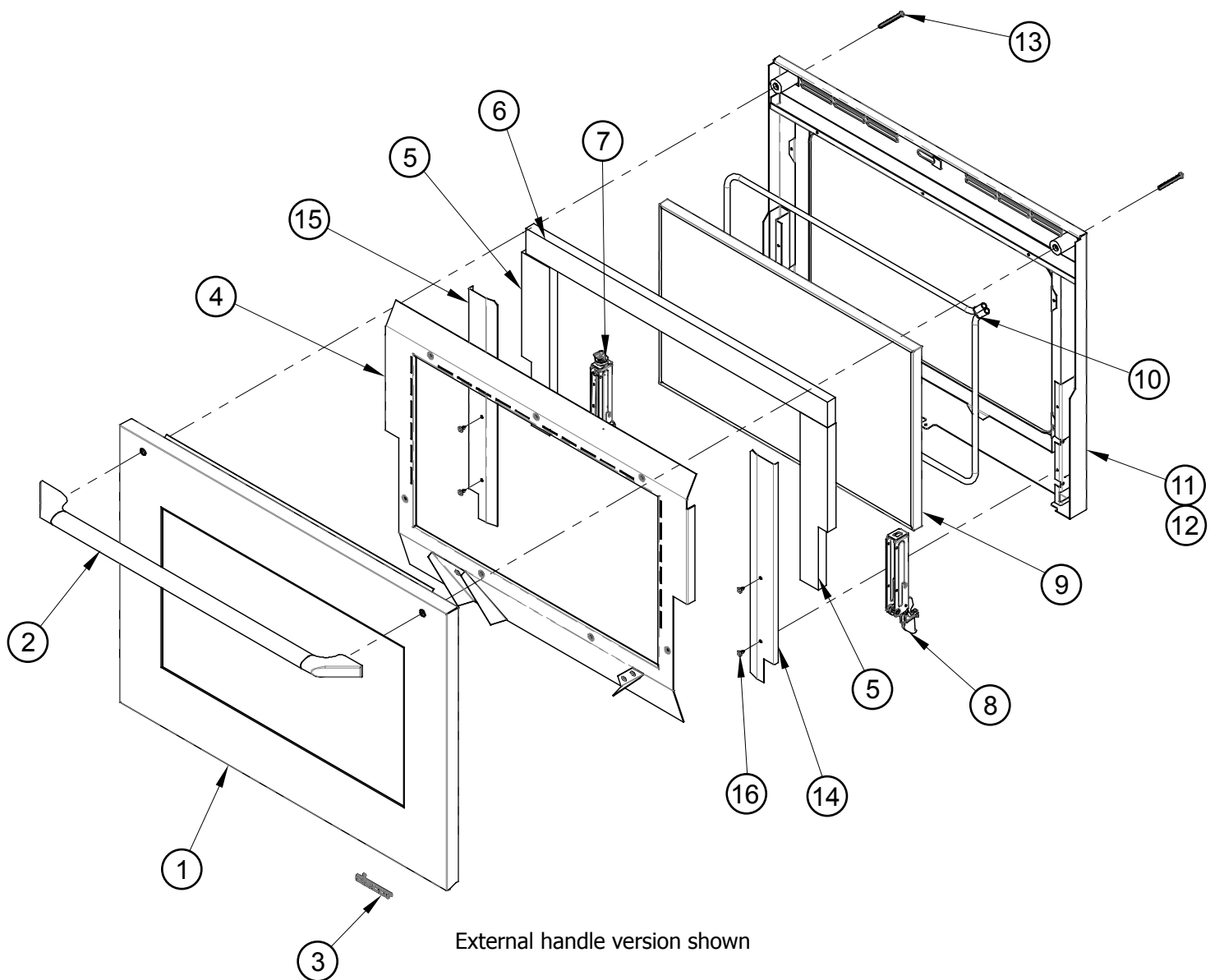
Item	Part #	Description
1	701464	Oven Rack, GlideRack
	106992	Oven Rack, Standard
2	72752	Temperature Sensor
3	105937	Broil, Burner (not shown)
4	700633 ¹	Convection Fan Motor ¹
5	107111 ²	Assy, Light, Halogen, 20W ²
6	72348	Receptacle, Hinge
7	107112	Bulb, Halogen, 20W
8	82473	Hot Surface Igniter
9	105366	Gasket, Cell

¹ Includes fan blade, hex nut and washer

² Includes light bulb

Item	Part #	Description
10	106991	Support, Rack
11	103558	Burner, Bake, Straight
12	105939BP	Convection Baffle
13	82891	Filter, Convection
14	105971	Deflector, Heat
15	105972BP	Pan, Oven
16	83618	Rubber Bumper
17	83708	Screw
18	83505	Screw, Phil Pan, #8 x 3/8"
19	83661	Screw
21	105965B	Grill, Intake

DR30G/GI Door Assembly



Item	External Handle Part #	Built-in Handle Part #	Description
1	701427-02 ¹	701749 ²	ASSEMBLY, DOOR SKIN
2	13659-001	NA	ASSEMBLY, DOOR HANDLE
3	72511CH	72511CH	LOGO, DACOR, 4", CHROME
4	107221B	107221B	HEAT SHIELD
5	105353	105353	INSULATION, SIDE DOOR
6	105352	105352	INSULATION, TOP DOOR
7	72711	72711	HINGE, LEFT
8	72710	72710	HINGE, RIGHT

¹ For complete door assembly, order part # 701426-04 which includes handle and Dacor logo on front.

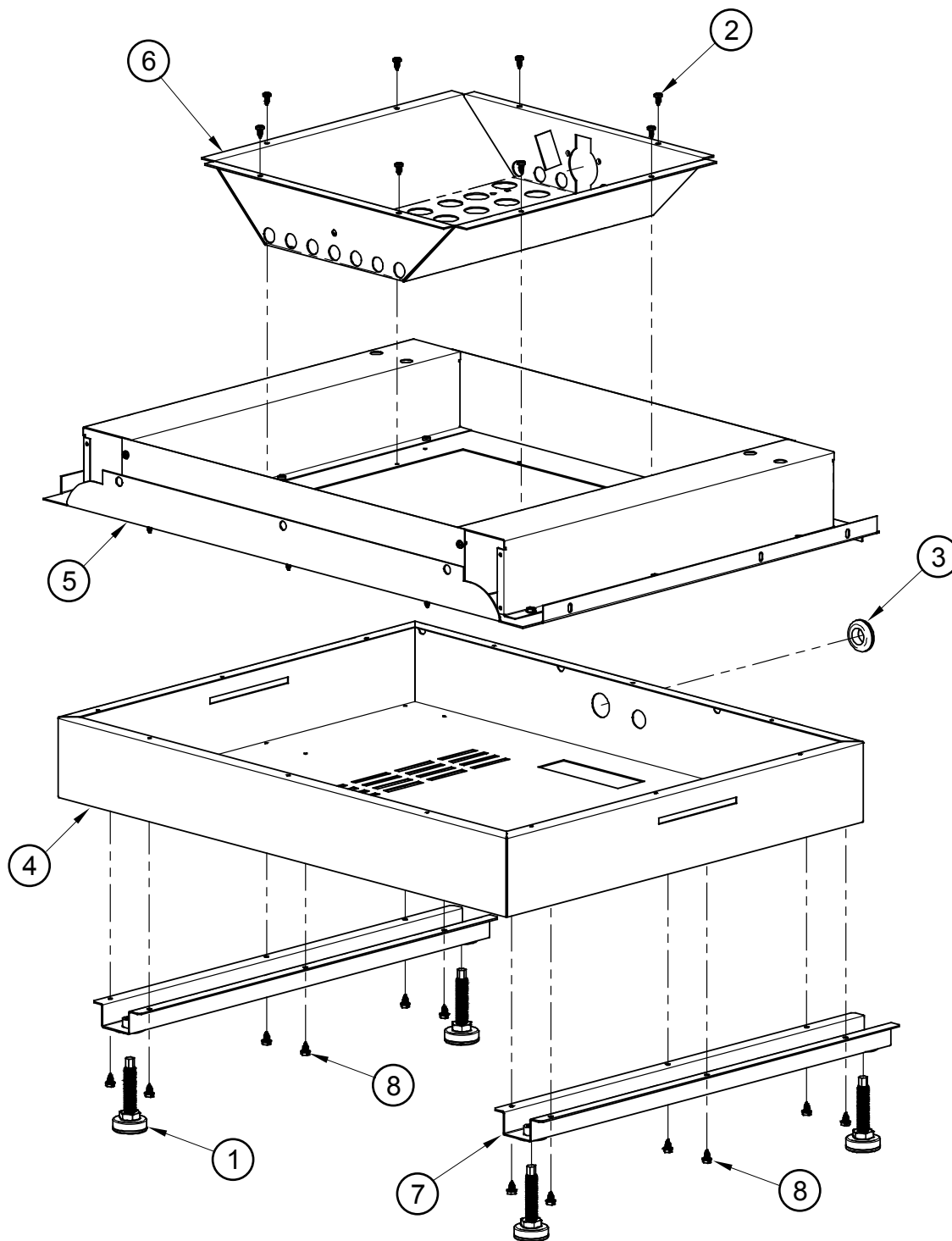
² For complete door assembly, order part # 701698-01 which includes Dacor logo on front.

Item	External Handle Part #	Built-in Handle Part #	Description
9	72968	72968	WINDOW PACK
10	100015	100015	GASKET, WINDOW PACK
11	701428-04 ³	701428-05 ³	ASSEMBLY, DOOR LINER
12	701430BP ⁴	701430BP ⁴	DOOR LINER
13	100026	NA	SCREW, #10-32 X 2.0, TORX
14	105510-01	105510-01	HINGE BRACKET COVER, RIGHT
15	105510-02	105510-02	HINGE BRACKET COVER, LEFT
16	83263	83263	SCREW, PHIL TRS, #8 X 3/8

³ Pre-assembled, includes door liner, window pack with gasket, hinges, hinge covers, all insulation, heat shields and air deflectors.

⁴ Door liner alone.

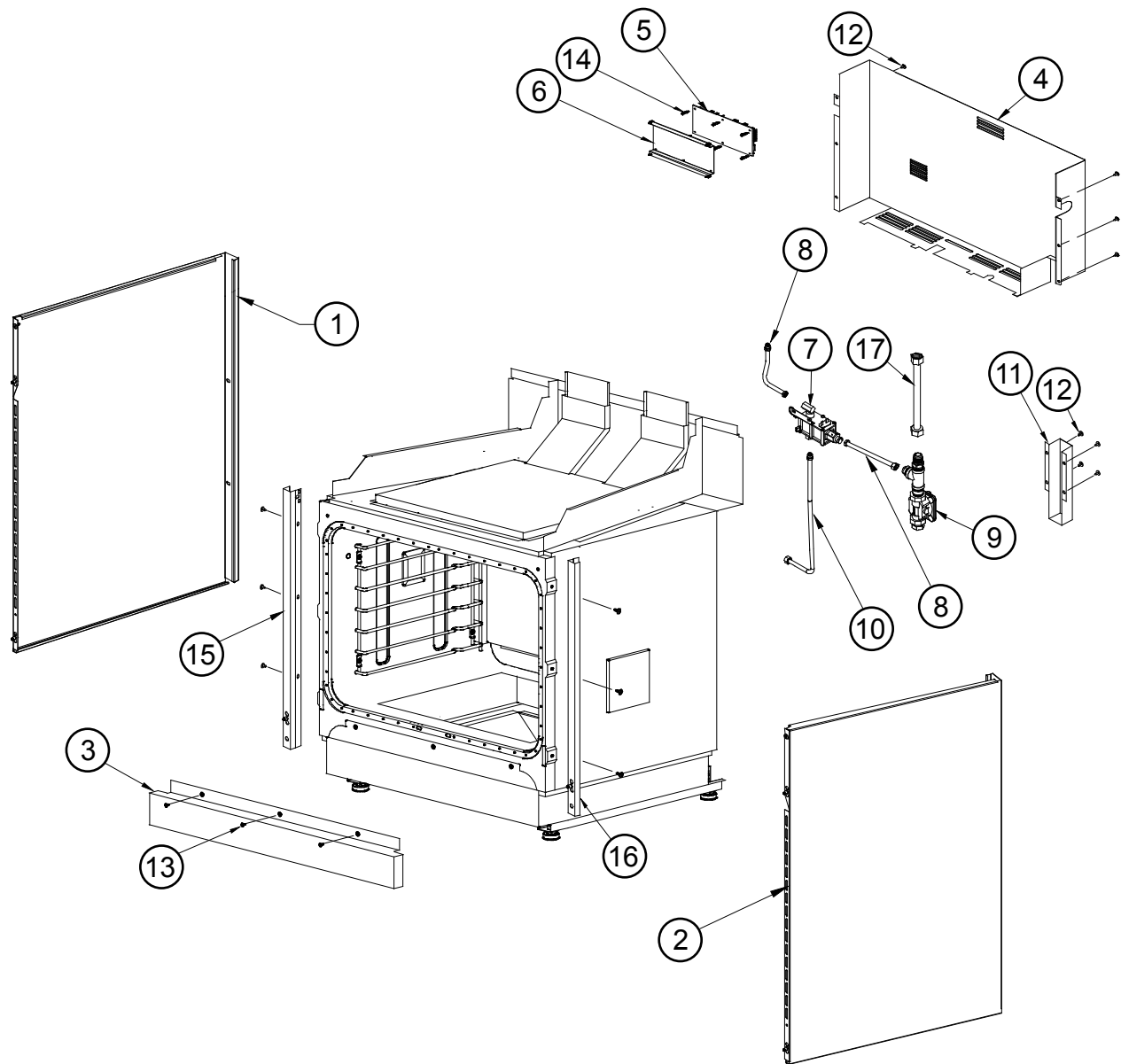
DR30G/GI Base Assembly



Item	Part #	Description
1	83359	Leg
2	83505	Screw, Type A, #8 x 3/8"
3	83058	Grommet, 1.31 OD x .69 ID x .38
4	NA	Base, Box (shown for reference only)
5	NA	Base (shown for reference only)
6	105927	Shield, Heat, Bake Burner

Item	Part #	Description
7	701641	Base Leg Rail
8	83023	Screw, Slot #10 x 3/8HWH
-	105733-02	Anti-Tip Bracket (not shown)
-	701555	Hardware Kit Anti-Tip Bracket (not shown)

DR30G/GI Outer Assembly



Item	Part #	Description
1	701660-01	Panel, Side, LH, DR30G[F]S
	701760-01 ¹	Panel, Side, LH, 3 1/2" DR30GI[F]S ¹
	701661-01 ²	Panel, Side, LH, 3 1/4" DR30GI[F]S ²
2	701660-02	Panel, Side, RH, DR30G[F]S
	701760-02 ¹	Panel, Side, RH, 3 1/2" DR30GI[F]S ¹
	701661-02 ²	Panel, Side, RH, 3 1/4" DR30GI[F]S ²
3	701659	Assy, Kick Panel
4	105970	Rear, Cover
5	105977	Board, Controller
6	103703	Bracket, Controller Board
7	103659	Thermal Dual Valve
8	103663-02	Flex Tube, Bake/Broil, 8"

Item	Part #	Description
9	62834	Assy, Regulator, NG
	72980	Assy, Regulator, LP
10	103663-03	Flex Tube, Bake/Broil, 20"
11	105955	Cover, Bake Wire
12	83263	Screw, Phil Wafer, #8 x 3/8"
13	83708	Screw, Trx Wfr Hd, #8 x 1/2"
14	83538	PCB Support, Nylon
15	701658-01	Assy, Post, Trim, LH
16	701658-02	Assy, Post, Trim, RH
17	107704	Assy, Tube, Service
-	107160	Wiring Harness, RTD (not shown)
-	107157	Wiring Harness, Main (not shown)
-	107158	Wiring Harness, Cooktop (not shown)
-	106162	Power cord (not shown)

¹ Rev. B and later models (not shown)
² Rev. A models (not shown)

